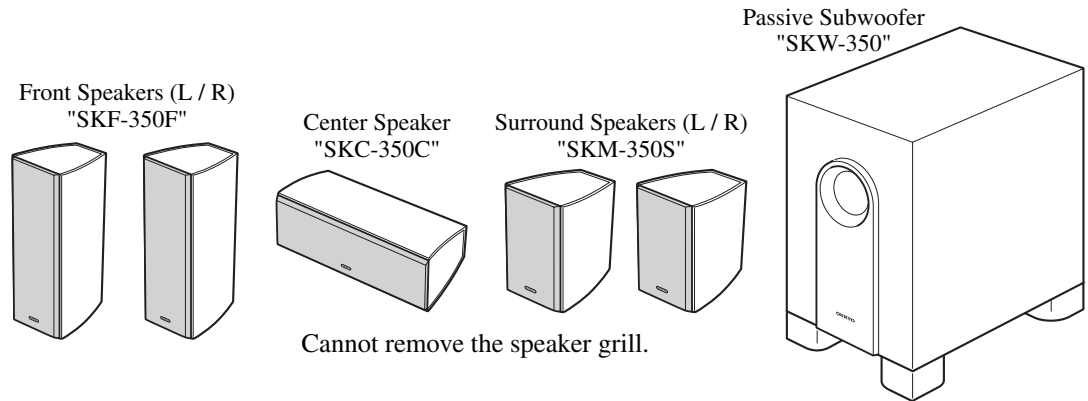


# ONKYO SERVICE MANUAL

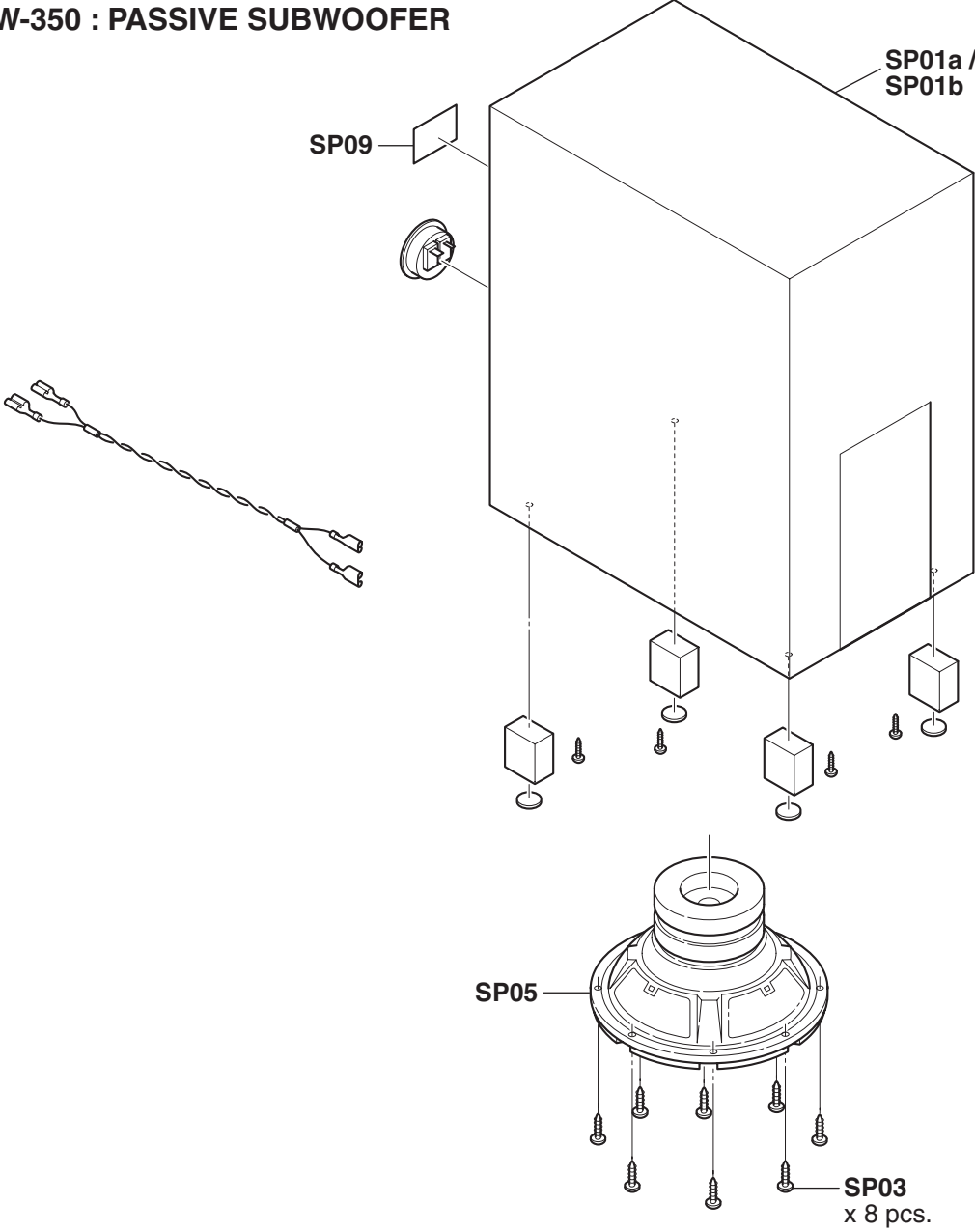
## 5.1-CH HOME THEATER SPEAKER PACKAGE MODEL HTP-350(B)/(S)



### Black and Silver models

B MD	B : Color MD : USA model
S MC	S : Color MC : Canadian model
S MA	S : Color MA : Australian model
S MK	S : Color MK : Korean model
S MO	S : Color MO : World wide model

**EXPLODED VIEWS-1**  
**SKW-350 : PASSIVE SUBWOOFER**

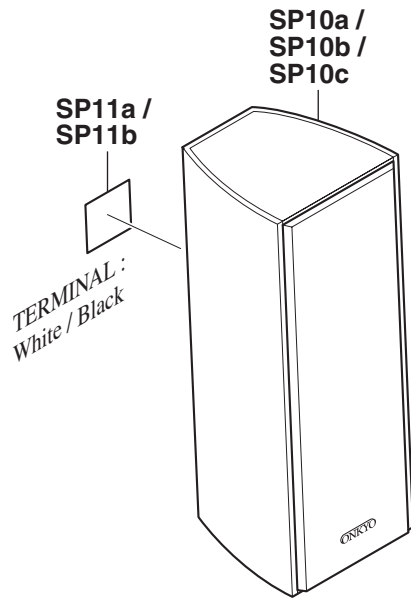


**EXPLODED VIEWS-2**

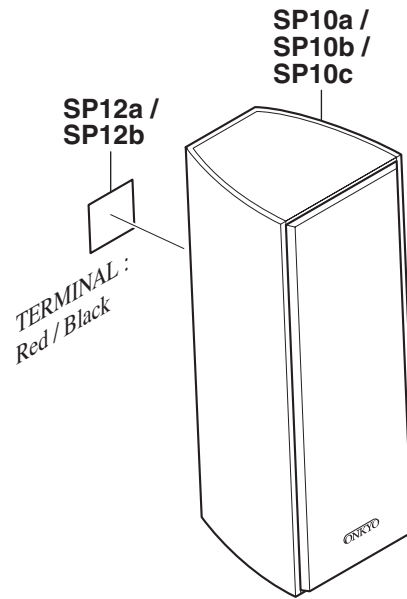
**SKF-350F / SKC-350C / SKM-350S**

<Note>

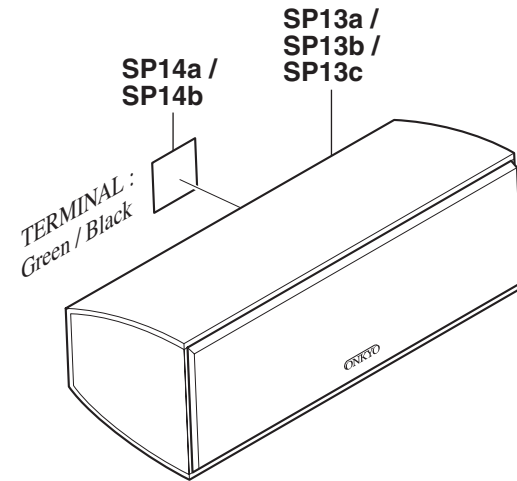
Cannot remove the speaker grill.



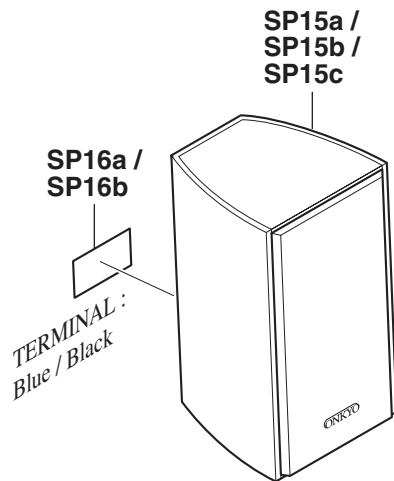
"SKF-350F (L)"



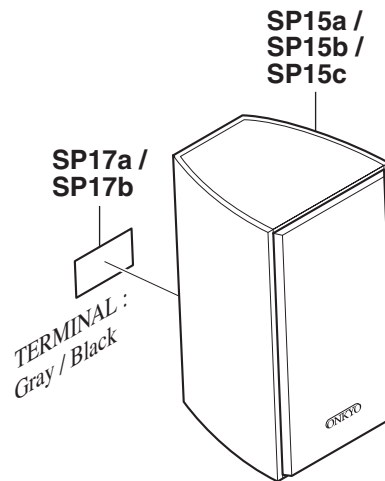
"SKF-350F (R)"



"SKC-350C"



"SKM-350S (L)"  
NOT MAGNETICALLY SHIELDED



"SKM-350S (R)"  
NOT MAGNETICALLY SHIELDED

<Notes>

USA and Canadian models : inch nut.

Other models : mm nut.

## HTP-350

## EXPLODED VIEWS PARTS LIST

## &lt;Notes&gt;

(B) : Black model

(S) : Silver model

&lt;MD&gt; : USA model

&lt;MC&gt; : Canadian model

&lt;MA&gt; : Australian model

&lt;MK&gt; : Korean model

&lt;MO&gt; : World wide model

REF. NO.	PART NAME	DESCRIPTION	Q'TY	PART NO. (SN)	REMARKS
EXPLODED:	<b>SKW-350 : PASSIVE SUBWOOFER</b>				
EXPLODED:	SP01a	SUBWOOFER ASS'Y	1	ANW8W600B-BM10	(B)
EXPLODED:	SP01b	SUBWOOFER ASS'Y	1	ANW8W600S-BM10	(S)
EXPLODED:	SP03	WOOD SCREW	8	NST8550518201	
EXPLODED:	SP05	WOOFER SPEAKER	1	W20178D	
EXPLODED:	SP09	BACK LABEL	1	YLB8100010106	
EXPLODED:	<b>SKF-350F : FRONT SPEAKERS (L)/(R)</b>				
EXPLODED:	SP10a	COMPLETE UNIT	1	ASL5M0503-BM04	(B) <MD>
EXPLODED:	SP10b	COMPLETE UNIT	1	ASL5M0503-BM01	(S) <MC>
EXPLODED:	SP10c	COMPLETE UNIT	1	ASL5M0503-BM02	(S) <MA>
EXPLODED:	SP10c	COMPLETE UNIT	1	ASL5M0503-BM02	(S) <MK>
EXPLODED:	SP10c	COMPLETE UNIT	1	ASL5M0503-BM02	(S) <MO>
EXPLODED:	SP11a	BACK LABEL (L)	1	YLB5101690441	<MD>
EXPLODED:	SP11a	BACK LABEL (L)	1	YLB5101690441	<MC>
EXPLODED:	SP11b	BACK LABEL (L)	1	YLB5101690446	<MA>
EXPLODED:	SP11b	BACK LABEL (L)	1	YLB5101690446	<MK>
EXPLODED:	SP11b	BACK LABEL (L)	1	YLB5101690446	<MO>
EXPLODED:	SP12a	BACK LABEL (R)	1	YLB5101690442	<MD>
EXPLODED:	SP12a	BACK LABEL (R)	1	YLB5101690442	<MC>
EXPLODED:	SP12b	BACK LABEL (R)	1	YLB5101690447	<MA>
EXPLODED:	SP12b	BACK LABEL (R)	1	YLB5101690447	<MK>
EXPLODED:	SP12b	BACK LABEL (R)	1	YLB5101690447	<MO>
EXPLODED:	<b>SKC-350C : CENTER SPEAKER</b>				
EXPLODED:	SP13a	COMPLETE UNIT	1	ASL5C0503-BM04	(B) <MD>
EXPLODED:	SP13b	COMPLETE UNIT	1	ASL5C0503-BM01	(S) <MC>
EXPLODED:	SP13c	COMPLETE UNIT	1	ASL5C0503-BM02	(S) <MA>
EXPLODED:	SP13c	COMPLETE UNIT	1	ASL5C0503-BM02	(S) <MK>
EXPLODED:	SP13c	COMPLETE UNIT	1	ASL5C0503-BM02	(S) <MO>
EXPLODED:	SP14a	BACK LABEL	1	YLB5101690443	<MD>
EXPLODED:	SP14a	BACK LABEL	1	YLB5101690443	<MC>
EXPLODED:	SP14b	BACK LABEL	1	YLB5101690448	<MA>
EXPLODED:	SP14b	BACK LABEL	1	YLB5101690448	<MK>
EXPLODED:	SP14b	BACK LABEL	1	YLB5101690448	<MO>
EXPLODED:	<b>SKM-350S : SURROUND SPEAKERS (L)/(R)</b>				
EXPLODED:	SP15a	COMPLETE UNIT	1	ASL5U0503-BM04	(B) <MD>
EXPLODED:	SP15b	COMPLETE UNIT	1	ASL5U0503-BM01	(S) <MC>
EXPLODED:	SP15c	COMPLETE UNIT	1	ASL5U0503-BM02	(S) <MA>
EXPLODED:	SP15c	COMPLETE UNIT	1	ASL5U0503-BM02	(S) <MK>

EXPLODED:	SP15c	COMPLETE UNIT	"SKM-350S (S) L & R" / (mm nut)	1	ASL5U0503-BM02	(S) <MO>
EXPLODED:	SP16a	BACK LABEL (L)	BLACK	1	YLB510169-0444	<MD>
EXPLODED:	SP16a	BACK LABEL (L)	BLACK	1	YLB510169-0444	<MC>
EXPLODED:	SP16b	BACK LABEL (L)	GRAY	1	YLB5101690449	<MA>
EXPLODED:	SP16b	BACK LABEL (L)	GRAY	1	YLB5101690449	<MK>
EXPLODED:	SP16b	BACK LABEL (L)	GRAY	1	YLB5101690449	<MO>
EXPLODED:	SP17a	BACK LABEL (R)	BLACK	1	YLB5101690445	<MD>
EXPLODED:	SP17a	BACK LABEL (R)	BLACK	1	YLB5101690445	<MC>
EXPLODED:	SP17b	BACK LABEL (R)	GRAY	1	YLB5101690450	<MA>
EXPLODED:	SP17b	BACK LABEL (R)	GRAY	1	YLB5101690450	<MK>
EXPLODED:	SP17b	BACK LABEL (R)	GRAY	1	YLB5101690450	<MO>
EXPLODED:	<b>SATELLITE PACKAGE</b>					
EXPLODED:	---	SATELLITE PACKAGE (B)	---	1	ANB5NS503-BM04	<MD>
EXPLODED:	---	SATELLITE PACKAGE (S)	---	1	ANB5NS503BM01	<MC>
EXPLODED:	---	SATELLITE PACKAGE (S)	---	1	ANB5NS503BM02	<MA>
EXPLODED:	---	SATELLITE PACKAGE (S)	---	1	ANB5NS503BM02	<MK>
EXPLODED:	---	SATELLITE PACKAGE (S)	---	1	ANB5NS503BM02	<MO>

**ONKYO CORPORATION**

Sales & Product Planning Div. : 2-1, Nisshin-cho, Neyagawa-shi, OSAKA 572-8540, JAPAN  
Tel: 072-831-8023 Fax: 072-831-8124

**ONKYO U.S.A. CORPORATION**

18 Park Way, Upper Saddle River, N.J. 07458, U.S.A.  
Tel: 201-785-2600 Fax: 201-785-2650 <http://www.us.onkyo.com/>

**ONKYO EUROPE ELECTRONICS GmbH**

Liegnitzerstrasse 6, 82194 Groebenzell, GERMANY  
Tel: +49-8142-4401-0 Fax: +49-8142-4401-555 <http://www.eu.onkyo.com/>

**ONKYO EUROPE UK Office**

Suite 1, Gregories Court, Gregories Road, Beaconsfield, Buckinghamshire, HP9 1HQ  
UNITED KINGDOM Tel: +44-(0)1494-681515 Fax: +44(0)-1494-680452

**ONKYO CHINA LIMITED**

Units 2102-2107, Metroplaza Tower I, 223 Hing Fong Road, Kwai Chung,  
N.T., HONG KONG Tel: 852-2429-3118 Fax: 852-2428-9039  
<http://www.ch.onkyo.com/>

